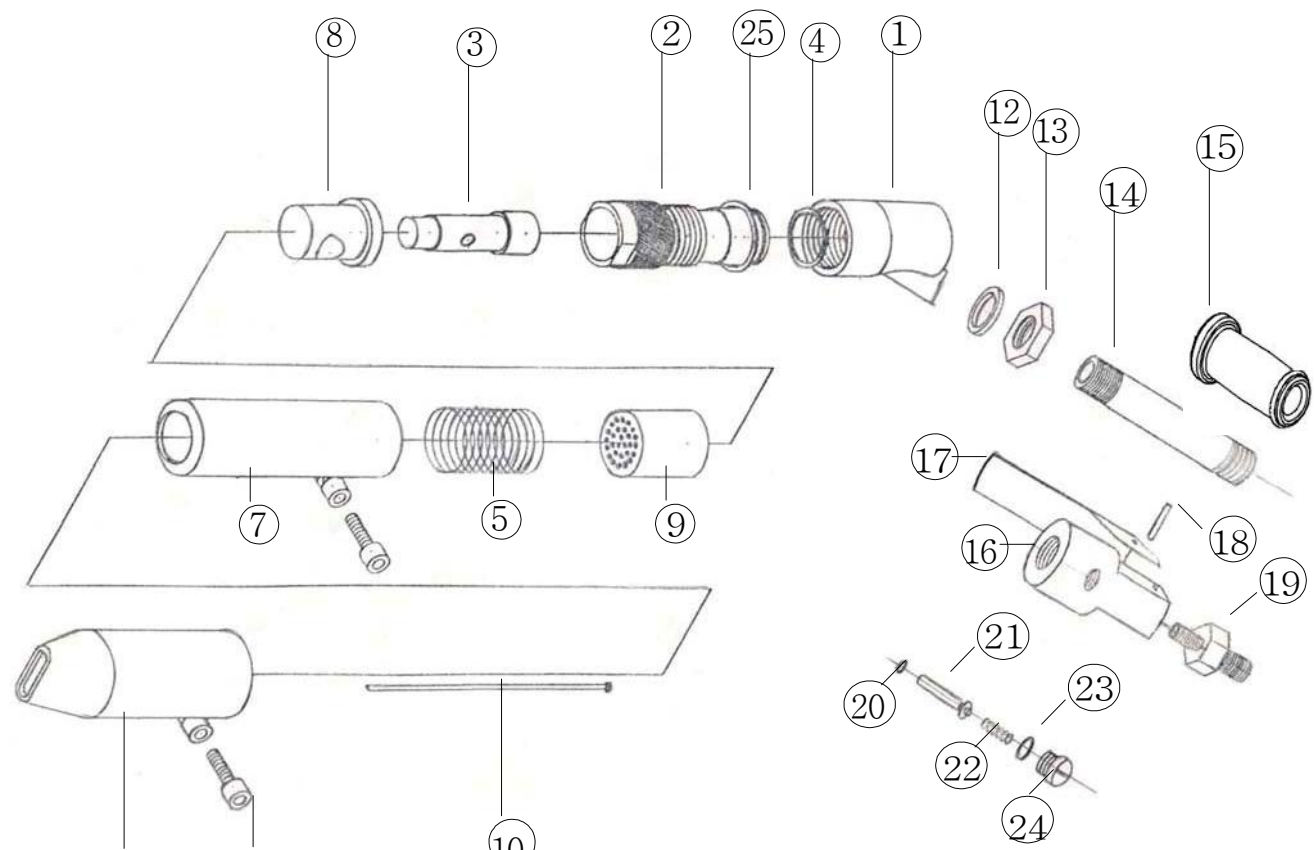


# STANDARD SCABBLERS



| Illus No. | Part No.  | Description            | Qty |
|-----------|-----------|------------------------|-----|
| 1         | 142 2101R | Cover Assembly         | 1   |
| 2         | 100 2102  | Sleeve                 | 1   |
| 3         | 100 2103  | Piston                 | 1   |
| 4         | 100 4012  | "O" Ring for Sleeve    | 1   |
| 5         | 100 5108  | Spring Return          | 1   |
| 6         | 100 2409  | Front Tube             | 1   |
| 7         | 100 2410  | Intermediate Tube      | 1   |
| 8         | 100 2104  | Anvil                  | 1   |
| 9         | 100 2105  | Needle Holder 3mm      | 1   |
| 10        | 50236     | 3mm x 180mm Needle     | 28  |
| 11        | 200 9068  | Soc. Head Bolt M8 x 30 | 2   |
| 12        | 810 9001  | Sealing Washer         | 1   |
| 13        | 625 5301  | Lock Nut               | 1   |
| 14        | 122 3201  | Main Handle            | 1   |
| 15        | 717 5301  | Rubber Grip            | 1   |
| 16        | 616 5321  | Valve Body             | 1   |
| 17        | 716 3000  | Throttle Lever         | 1   |
| 18        | 813 0108  | Roll Pin               | 1   |
| 19        | 100 4018  | Plastic Plug           | 1   |
| 20        | 809 0089  | "O" Ring Valve Seat    | 1   |
| 21        | 618 3022  | Valve Stem             | 1   |
| 22        | 712 3022  | Valve Spring           | 1   |
| 23        | 809 0139  | "O" Ring Valve Cap     | 1   |
| 24        | 615 3021  | Valve Cap              | 1   |

25      100 413    "O" Ring for Sleeve      1